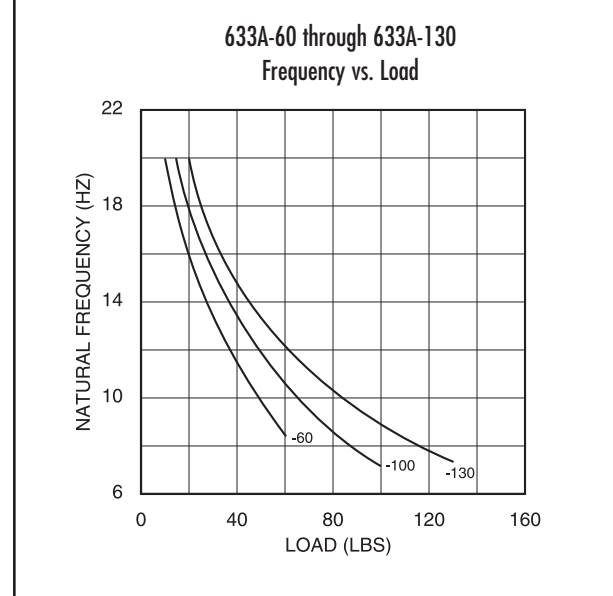
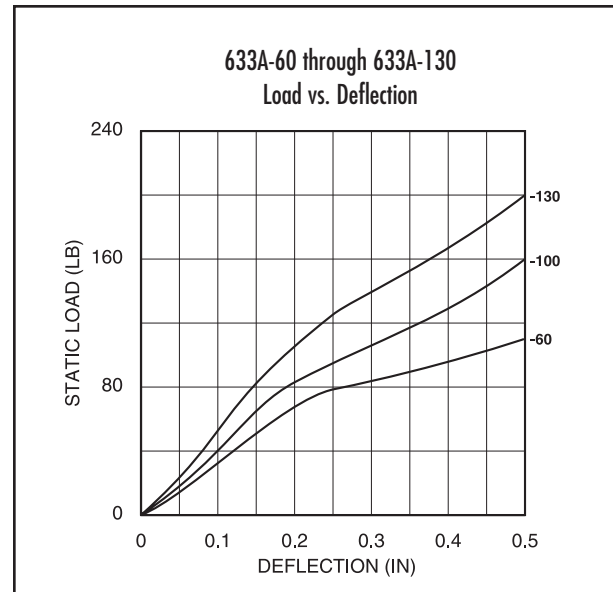
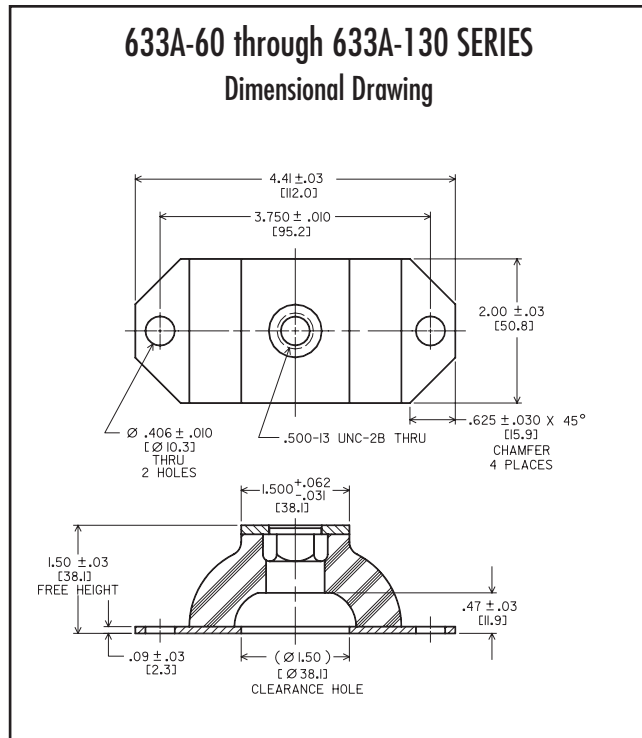


633A SERIES: 633A-60 THROUGH 633A-130

Dimensions & Performance Characteristics



633A SERIES LOAD RANGES	
Part #	Maximum Static Load/Isolator (lbs.)
633A-60	60
633A-100	100
633A-130	130

NOTE: For stainless steel applications please add "SS" to part number. Example:
For Stainless Steel 633A-60 order as part number 633A-SS60